

Nidus Project Series - Lonsdale Lever

68mm rosette - suits 54mm crossbore hole.
Simple to install.
Non-handed.
Limited Guarantee: 10 years mechanical. 5 years finish.

Entrance Leverset

Polished Chrome, Brushed Satin Nickel, Matte Black
Square and Round backplate designs.
External Key cylinder and snib turn privacy locking on inside.
Latch included, to suit 60mm backset.

EuroBolt

Polished Chrome, Brushed Satin Nickel, Matte Black
Square and Round backplate designs.
Available in either double cylinder deadbolt function (key both sides) or single cylinder function (key outside, snib turn inside).
Bolt suits 60mm backset.

Trim plate

Polished Chrome, Brushed Satin Nickel, Matte Black
For Square backplate product only. To be used with the entrance leverset and Eurobolt.

Passage Leverset

Polished Chrome, Brushed Satin Nickel, Matte Black
Square and Round backplate designs.
For Hallways and non locking doors.
Latch included, to suit 60mm backset.

Privacy Leverset

Polished Chrome, Brushed Satin Nickel, Matte Black
Square and Round backplate designs.
For bedrooms and bathrooms where a privacy snib function is required. Features internal side automatic release and external side emergency access.
Privacy latch included, to suit 60mm backset.

Dummy Lever

Non operational Dummy lever function for closets and robes.
Polished Chrome, Brushed Satin Nickel, Matte Black
Square and Round backplate designs.
Non Handed.

See pictures next page.

Project Series Key in Lever Range



Lonsdale combination trim set featuring key in lever set with inside snib locking, and double cylinder eurobolt set, polished chrome finish.



Lonsdale square backplate key in lever



Lonsdale round backplate key in lever



Lonsdale square backplate privacy set



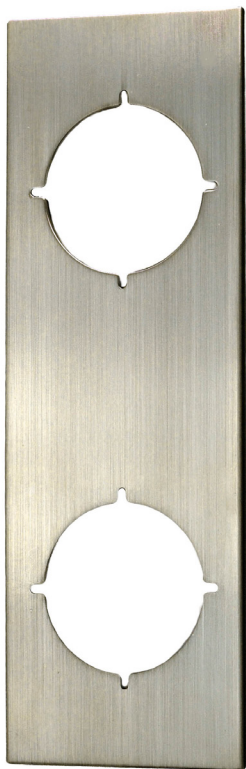
Lonsdale round backplate privacy set



Lonsdale lever privacy function - detail of inside snib turn



Lonsdale lever privacy function - detail of inside snib turn



Lonsdale square Trim Plate. Suits Square backplate Lonsdale product only (not Round). Available in Brushed Nickel (pictured), Polished Chrome and Matte Black finishes. Dimensions: 240x80x2mm. 54mm diameter holes with 127mm centre to centre distance.



Lonsdale square backplate passage set



Lonsdale round backplate passage set



Lonsdale square euro deadbolt (also available in round backplate)

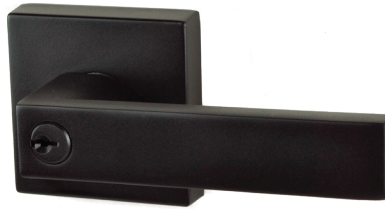


Lonsdale square euro single cylinder Deadbolt showing inside turn snib. (also available in round backplate)

Project Series Key in Lever Range



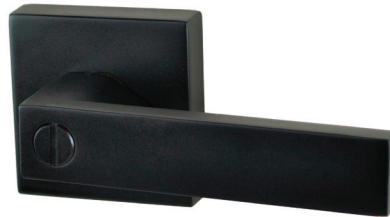
Lonsdale combination trim set featuring key in lever set with inside snib locking, and double cylinder eurobolt set, matte black finish. Dimensions: 240x80x2mm. 54mm diameter holes with 127mm centre to centre distance.



Lonsdale square backplate key in lever, matte black



Lonsdale square backplate passage set, matte black



Lonsdale square backplate privacy set, matte black



Lonsdale square euro deadbolt, matte black



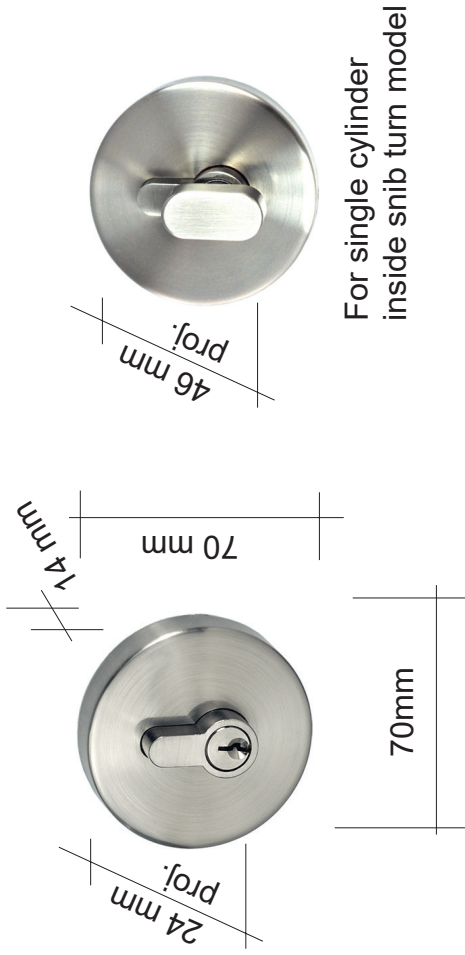
Lonsdale square euro single cylinder Deadbolt showing inside turn snib. (also available in round backplate)

See product codes and descriptions next page.

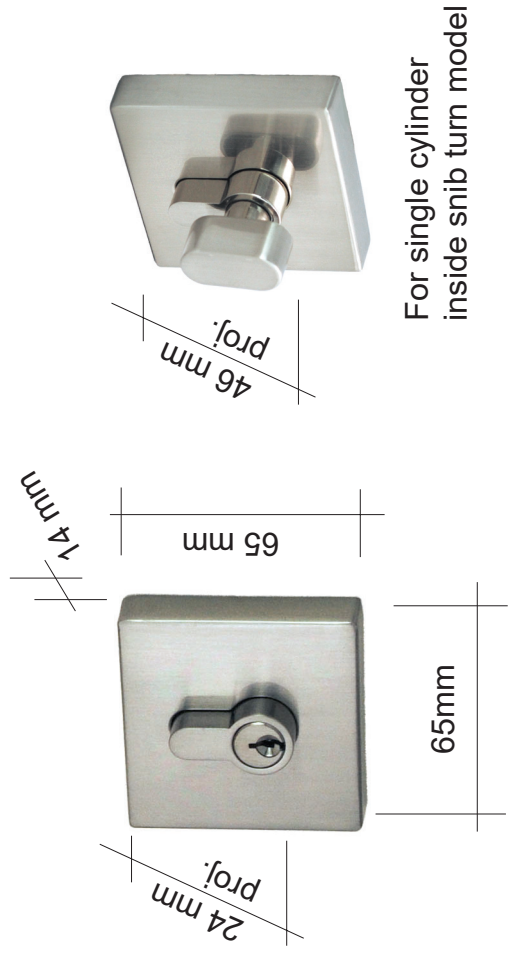
Project Series Key in Lever Range

Code	Model	Function	Finish	Notes
P-L-ENT-CP-V	Lonsdale	Entrance	Polished Chrome	60 backset
P-L-ENT-BN-V	Lonsdale	Entrance	Brushed Nickel	60 backset
P-L-PRI-CP-V	Lonsdale	Privacy	Polished Chrome	60 backset
P-L-PRI-BN-V	Lonsdale	Privacy	Brushed Nickel	60 backset
P-L-PAS-CP-V	Lonsdale	Passage	Polished Chrome	60 backset
P-L-PAS-BN-V	Lonsdale	Passage	Brushed Nickel	60 backset
P-L-EB-CP-V	Lonsdale	Eurobolt - double cylinder	Polished Chrome	60 backset
P-L-EB-BN-V	Lonsdale	Eurobolt - double cylinder	Brushed Nickel	60 backset
P-L-EB1-CP-V	Lonsdale	Eurobolt - single cylinder	Polished Chrome	60 backset
P-L-EB1-BN-V	Lonsdale	Eurobolt - single cylinder	Brushed Nickel	60 backset
P-L-COMB-CP-V	Lonsdale	Entrance set & Double Cylinder Eurobolt	Polished Chrome	60 backset
P-L-COMB-BN-V	Lonsdale	Entrance set & Double Cylinder Eurobolt	Brushed Nickel	60 backset
P-L-DUM-CP-V	Lonsdale	Dummy Lever	Polished Chrome	
P-L-DUM-BN-V	Lonsdale	Dummy Lever	Brushed Nickel	
P-L-SQ-ENT-CP-V	Lonsdale	Entrance	Polished Chrome	60 backset
P-L-SQ-ENT-BN-V	Lonsdale	Entrance	Brushed Nickel	60 backset
P-L-SQ-ENT-BL-V	Lonsdale	Entrance	Matte Black	60 backset
P-L-SQ-PRI-CP-V	Lonsdale	Privacy	Polished Chrome	60 backset
P-L-SQ-PRI-BN-V	Lonsdale	Privacy	Brushed Nickel	60 backset
P-L-SQ-PRI-BL-V	Lonsdale	Privacy	Matte Black	60 backset
P-L-SQ-PAS-CP-V	Lonsdale	Passage	Polished Chrome	60 backset
P-L-SQ-PAS-BN-V	Lonsdale	Passage	Brushed Nickel	60 backset
P-L-SQ-PAS-BL-V	Lonsdale	Passage	Matte Black	60 backset
P-L-SQ-EB-CP-V	Lonsdale	Eurobolt - double cylinder	Polished Chrome	60 backset
P-L-SQ-EB-BN-V	Lonsdale	Eurobolt - double cylinder	Brushed Nickel	60 backset
P-L-SQ-EB-BL-V	Lonsdale	Eurobolt - double cylinder	Matte Black	60 backset
P-L-SQ-EB1-CP-V	Lonsdale	Eurobolt - single cylinder	Polished Chrome	60 backset
P-L-SQ-EB1-BN-V	Lonsdale	Eurobolt - single cylinder	Brushed Nickel	60 backset
P-L-SQ-EN1-BL-V	Lonsdale	Eurobolt - single cylinder		60 backset
P-L-SQ-COMB-CP-V	Lonsdale	Entrance set & Double Cylinder Eurobolt	Polished Chrome	60 backset
P-L-SQ-COMB-BN-V	Lonsdale	Entrance set & Double Cylinder Eurobolt	Brushed Nickel	60 backset
P-L-SQ-COMB-BL-V	Lonsdale	Entrance set & Double Cylinder Eurobolt	Matte Black	60 backset
P-L-SQ-DUM-CP-V	Lonsdale	Dummy Lever	Polished Chrome	
P-L-SQ-DUM-BN-V	Lonsdale	Dummy Lever	Brushed Nickel	
P-L-SQ-DUM-BL-V	Lonsdale	Dummy Lever	Matte Black	
P-L-SQ-TRIM-CP-V	Lonsdale	Trim Plate (Each)	Polished Chrome	For square backplate levers only
P-L-SQ-TRIM-BN-V	Lonsdale	Trim Plate (Each)	Brushed Nickel	For square backplate levers only
P-L-SQ-TRIM-BI-V	Lonsdale	Trim Plate (Each)	Matte Black	For square backplate levers only

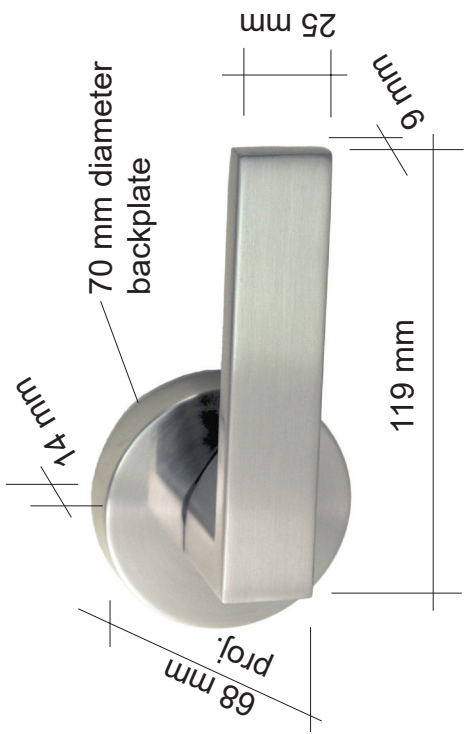
Project Series "Lonsdale" Round Backplate Eurobolt Dimensions



Project Series "Lonsdale" Square Backplate Eurobolt Dimensions



Project Series "Lonsdale" Round Backplate Entrance/Passage/Privacy/Dummy Dimensions



Project Series "Lonsdale" Square Backplate Entrance/Passage/Privacy/Dummy Dimensions

