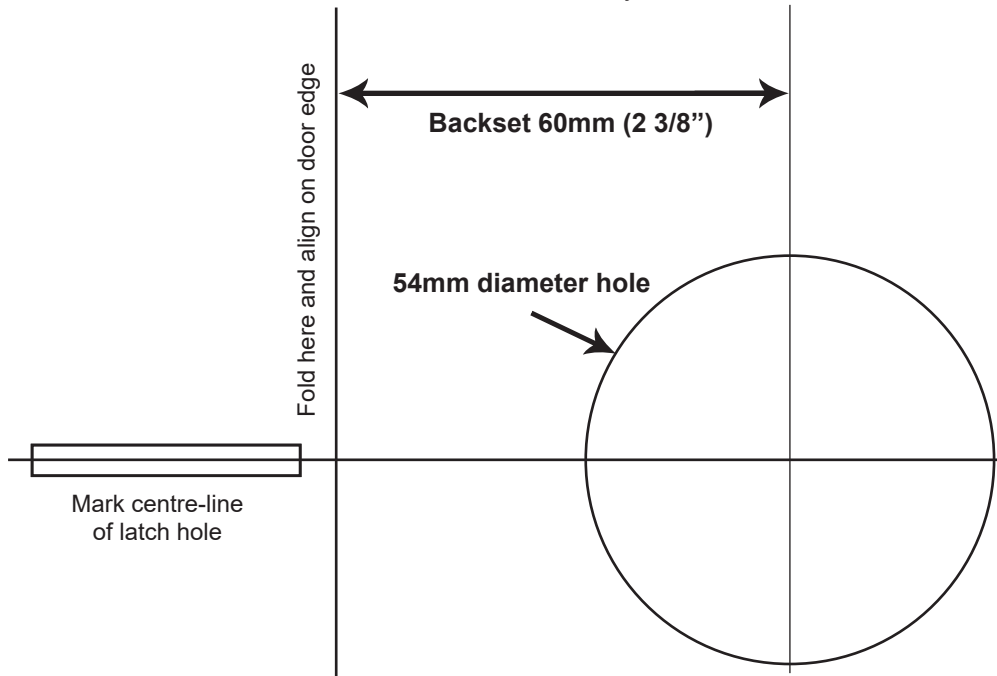


Nidus Project Series Key In Lever Range

Installation Template

Important Note: Before using this template, please check measure that the physical dimensions are correct e.g. check that the 60mm backset shown on the diagram measures correctly as 60mm.



Fitting Diagram

