

Automatic Door Bottom Seals



RP3



A cam activated, lifting action, automatic door bottom seal. It is quick and easy to install without cutting or removing the door and uses concealed fasteners. This DIY product has been granted an Australian Design Award. Ideal for residential and light commercial applications such as motels and retirement villages.

Can be used in conjunction with Raven threshold plates.

Location: Bottom of single inward opening butt hinged doors.

Min/Max Gap: 3mm to 16mm.

Finish:* Satin clear (silver), bronze, bright gold or black (black 920mm only) anodised aluminium (15µm).

Fixing: Screw fix. Zinc plated, cross recess head S.T. screws supplied. Fixing holes are pre-slotted.

Seal: RP303. Black EPDM or TPE.

Sizes: Each seal unit can be cut back to next shorter unit size: 1220mm, 920mm *cuts back to 385mm* (between door stops).

Approvals

Fire AUS/NZ: NCC Spec. C3.4. AS1530.4:2005 & earlier.

Up to FRL / FRR-/60/30. 🔥

Gasket flammability index < 5 when tested to AS1530.2.

Energy ABCB Housing Provisions Standard 2022 13.4.4 & NCC J5D5.

Durability Tested to over 1,000,000 operating cycles without failure.

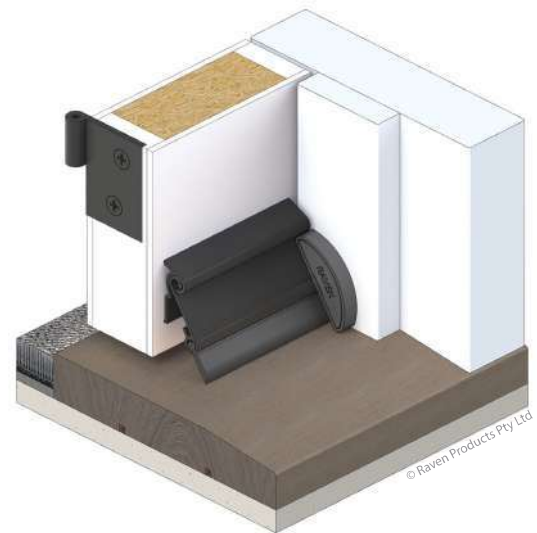
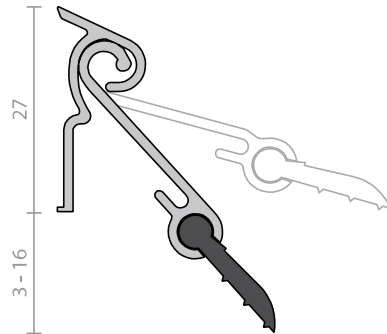
Insects/Vermin AS4674, 2.1.5(iv), 2.1.7.

Certification

Global GreenTag^{Cert™}

Product Health Declaration™ (GreenTag PHD™)

PlatinumHEALTH™ HealthRATE™



© Raven Products Pty Ltd

*Note: Not all finishes are available in all sizes.

RP8Si



A concealed, automatic door bottom seal that is spring loaded to lift clear of the floor when the door is opened. It is acoustically designed, featuring silicon gaskets for medium temperature smoke and fire door applications. Operated automatically by pressure against the door jamb on its adjustable strike. RP8Si can also be fitted into the bottom rail of a metal door by the fabricator. Has a level adjustment to achieve an optimum seal.

Location: Fully morticed into a 15mm x 34mm groove into the bottom (or top) of single and double butt hinged timber and metal doors.

Min/Max Gap: 3mm to 13mm.

Finish:* Satin clear (silver), bronze or black anodised aluminium (15µm).

Fixing: Concealed screw fix with colour matched stainless steel escutcheon plates and screws supplied.

Seal: RP308Si. Grey silicon rubber (SE).

Sizes: Each seal unit can be cut back to next shorter unit size: 1500mm, 1220mm, 1070mm, 920mm, 820mm, 600mm, 380mm *cuts back to 295mm*.

Approvals

UL R37913.

Certifire CF 5710.

ANSI/BHMA A156.22

Acoustic AUS/NZ: NCC F7D6.

UK/EU: Approved Document E. Rated to BS EN ISO 717-1.

Fire AUS/NZ: NCC S12C2. AS1530.4 & AS 1905.1. NZBC C/AS2 4.16.2.

UK/EU: Approved Document B. BS 476 Pt. 20 & 22 (similar to BS EN 1634-1).

Up to FRL / FRR-/240/30 & FD240. 🔥

Gasket flammability index 1 when tested to AS1530.2.

Smoke NCC S12C4. AS1530.7 & BS EN 1634-3. Meets smoke leakage rates specified in AS6905 & EN 13501-2 "Sa", "S200".

Energy ABCB Housing Provisions Standard 2022 13.4.4 & NCC J5D5.

Durability Tested to over 1,000,000 operating cycles without failure.

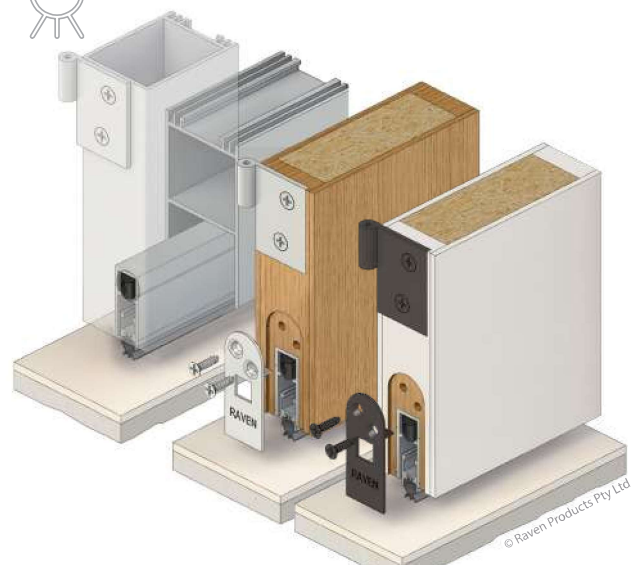
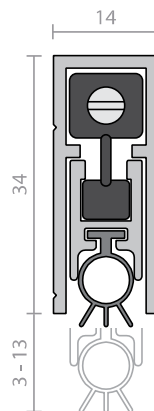
Insects/Vermin AS4674, 2.1.5(iv), 2.1.7.

Certification

Global GreenTag^{Cert™}

Product Health Declaration™ (GreenTag PHD™)

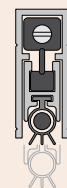
PlatinumHEALTH™ HealthRATE™



© Raven Products Pty Ltd

RP8FZ

p.103



Intumescent fire and hot smoke seal for fire engineered solutions.