

BUTT HINGES

LOOSE PIN

FEATURES

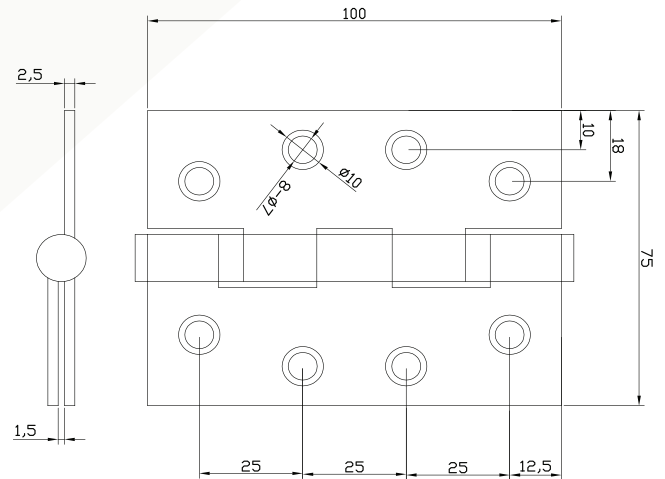
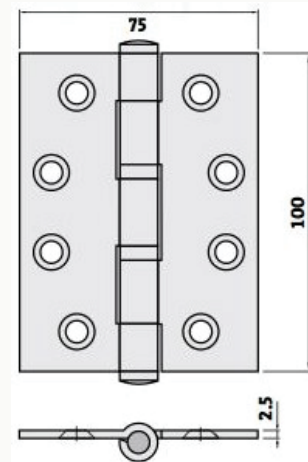
- Tested to exceed approved standards from around the world.
- EN1935 Grade 13 CE Approved.
- Tested for 200,000 cycles on 120kg door mass.
- Fire Rated to Four Hours (AS1905.1)
- Suitable for timber and metal frames.
- Come with screws to suit timber and metal.
- Suitable for interior and exterior doors.
- 304 Grade Stainless Steel Construction.

SIZE

- 100x75x2.5MM

FINISHES:

- Stainless Steel
- Polished Stainless Steel
- Graphite Nickel
- Matt Black
- Satin Brass
- White



Note: Measurements are in mm

