

CONCEALED SLIDE ARM DOOR CLOSERS

# ITS.11205



CONCEALED SLIDE ARM DOOR CLOSERS

# ITS.11205

Renowned for its high efficiency, the Rutland ITS.11205 cam action door closer has size 2-5 power adjustment and is suitable for use in doors 54mm thick. With its cam and roller mechanism, and ease of opening, this closer is suitable for assisting Document M and BS8300 requirements.

- Fully concealed when the door is closed
- Power Adjustable by spring, size 2-5
- Available in Silver, Satin Nickel, Polished Nickel, Polished Brass & Black for next day delivery



3rd Party Certification



Opening Angle 120°



Two-Stage Speed Regulation



Guarantee



Max Door Width 1250mm



Max Door Weight 110Kg



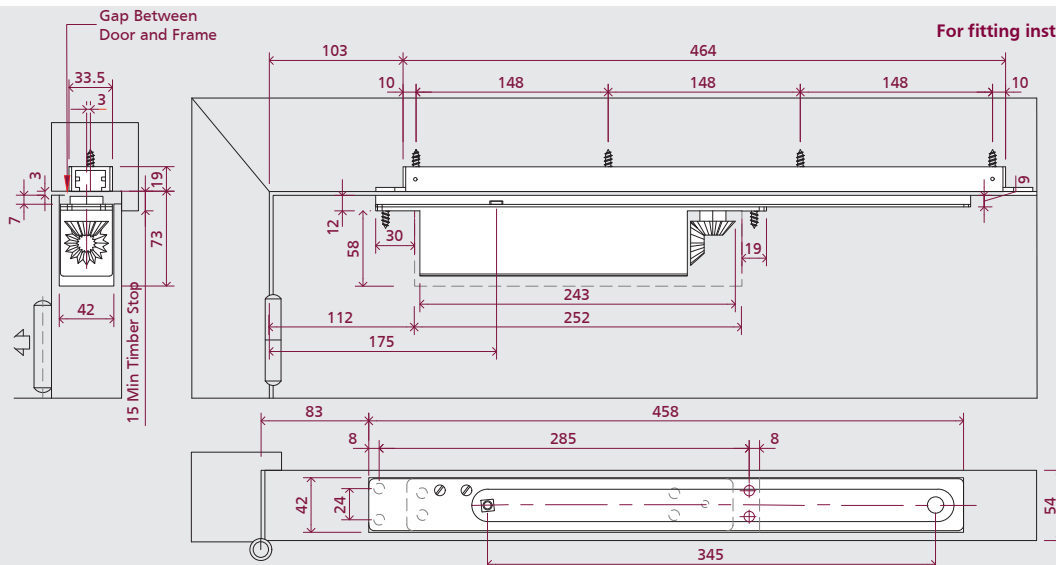
Intumescent kit (IP.115)

**Finishes**

See page 98 for more detail



Product Features	ITS.11205
Delayed Action	-
Back Check	-
Opening Angle	120°
Fig.1 Pull Side Door Width	595-1250mm
Fig.66 Push Side Door Width	595-1250mm
Fig.1 BS8300 Min Door Width	835mm
Max Door Weight	<110kg
Power Adjustment	By Spring
Hold Open (not for fire doors)	o
Dimensions	W243 x H58 x D42mm
Certification Compliance	
Certifire	-
UKCA	✓
CE	-
BS EN 1154	✓
BS EN 1634	✓
UL10C	-
UL228	✓
ANSI BHMA	-
IFCC	✓
<b>Key:</b> ✓ Yes    - No    o Option	



For fitting instructions see website

All dimensions shown are in mm.