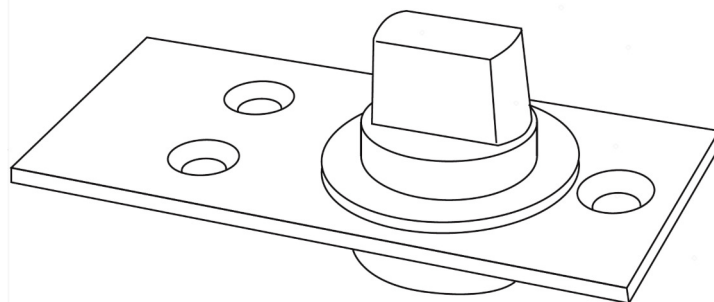
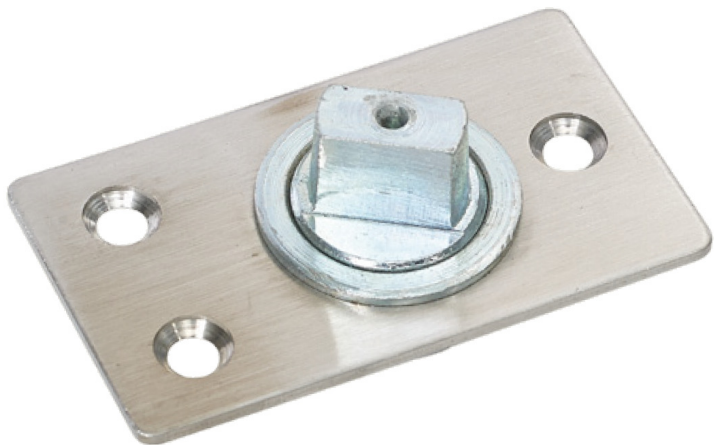


PS.260 FLOOR MOUNT SPINDLE BEARING

Rutland pivots are available in a variety of different versions. Each device has its own use in its unique location and is built of high quality materials to withstand even some of the most demanding applications.



PS.260 is a free swinging pivot floor mount

- Spindle Bearing (90x50mm)
- Available Finishes: Stainless Steel
- Max Door Weight: 80kg
- Box Quantity: 10
- Suitable for use with PS.170 & PS.180



10 Year
Guarantee



Universal
Application



Max Door
Weight 80kg