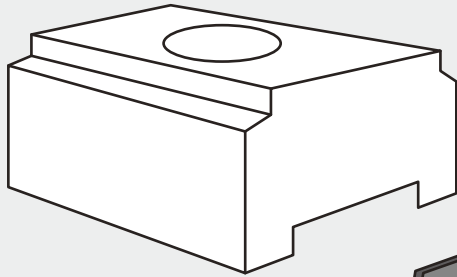


Hold Open Device

For Non-Fire Door Application

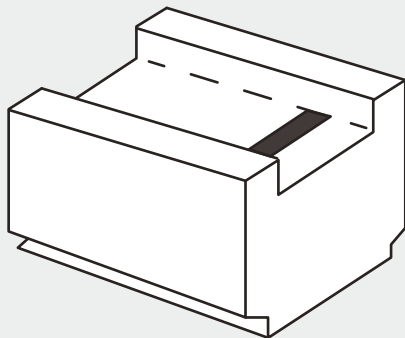


1



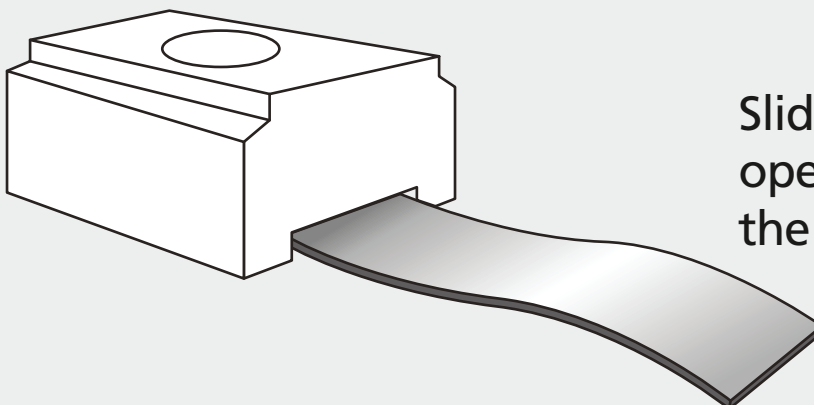
Take slide block out of rail.

2



Put black spring clip into the slot underneath the block.

3



Slide block with hold open clip back into the slide rail.