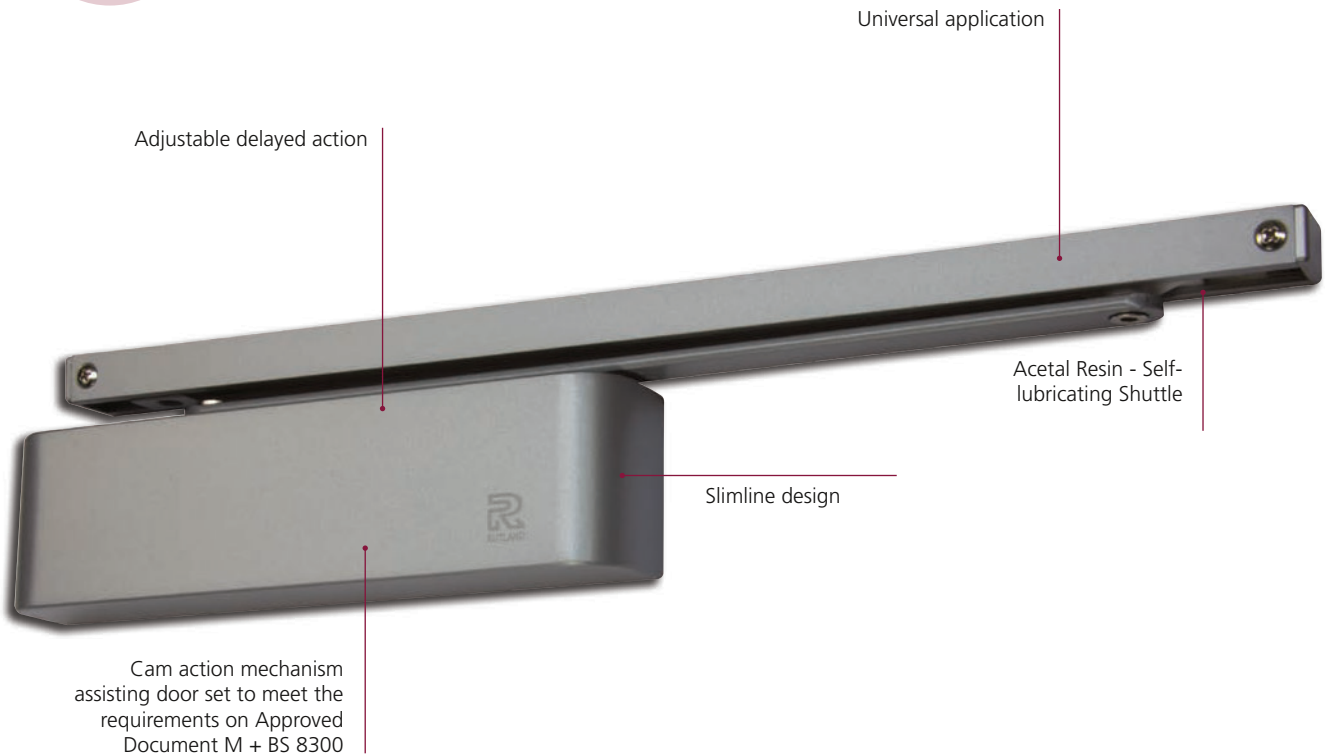


# TS.11205 Slide Arm Closer

Power Adjustable  
EN2-5 by  
Spring



Silver (SE)



Satin Nickel Plate (SNP)



Polished Nickel Plate (PNP)



Electro Brass (PVD)

## Product Overview

- ✓ Variable power size EN 2-5
- ✓ CE & UKCA marked and UL listed
- ✓ Universal fitting
- ✓ Available with back check and adjustable delayed action
- ✓ Easy to read instructions, saving 12 minutes of fitting time
- ✓ Corrosion Grade 3 – Recommended for internal use



1720

1812

## Specification Overview



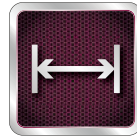
Tested to EN1634



Max Door Weight up to 110kg



Opening Angle 120°



Max Door Width 1250mm



Universal Application



Adjustable Closing Speed



Adjustable Delayed Action



Power Size EN2-5



Adjustable Latch Speed



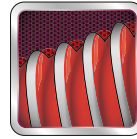
Guarantee



TS11205 CPR2012222



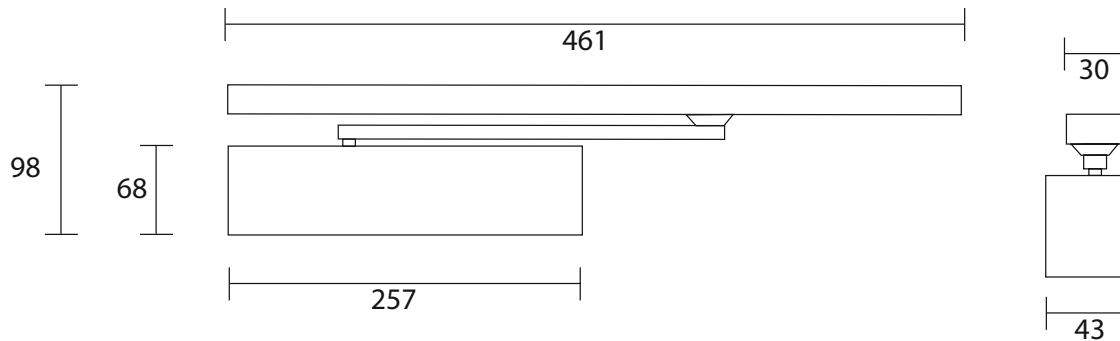
Min Door 857mm fig30



Rut Lock

Cover

All dimensions shown are in mm.



For fitting instructions see website - [www.rutlanduk.co.uk](http://www.rutlanduk.co.uk)

## Technical Information

### BS EN 1154 Classification

TS.11205 door closers have been independently tested to conform with the EN 1154 performance standard. They are CE & UKCA marked and classified as follows:

3 8  $\frac{2}{5}$  1 1 3

### BS EN 1634 Fire Test

TS.11205 door closers have been tested to EN 1634 Fire Pressure Test for, 30 and 60 minutes on a TFTDoor and TFCDoor.

### ADA Compliant

Fire doors shall have a minimum opening force allowable by the appropriate administration authority, and doors other than fire doors 5 pounds maximum opening force (22.2N) from push or pull side.

### UL Listed

The TS.11205 has been certified and labelled to the Underwriters' Laboratories (UL) testing, inspection, certification, auditing and validation.

## Options

- Mechanical hold open slide rail (*Not to be used on fire doors. Not covered by CE*)
- Back check available as a cushion stop in the rail
- For uninsulated doors see code in components list for intumescent kit

## Other Benefits

- BS8300 & ADA.cv door closer helping the less able (min door size 857mm)