

SCISSOR ARM DOOR CLOSERS

TS.3204



SCISSOR ARM DOOR CLOSERS

TS.3204

The TS.3204 is a Certifire approved and ideal choice for mid-range contracts, with power size 3/4, adjustable by template, and optional back check.

- Available in Silver, Satin Nickel, Polished Nickel, Polished Brass White for next day delivery
- Easy to read instructions, saving over 12 minutes of fitting time
- Corrosion Grade 3 - Recommended for internal use



3rd Party Certification



Opening Angle 180°



Two-Stage Speed Regulation



Guarantee



Max Door Width



Max Door Weight



Product Features	TS.3204
Delayed Action	-
Back Check	TS.3204BC
Opening Angle	180°
Fig.1 Pull Side Door Width	300-1100mm
Fig.66 Push Side Door Width	470-950mm
Max Door Weight	<80kg
Power Adjustment	By Template
Hold Open (not for fire doors)	o
Dimensions (including cover)	W250 x H66 x D43mm

Certification Compliance	
Certifire (Not applicable for BC versions)	✓
UKCA	✓
CE	✓
BS EN 1154	✓
BS EN 1634	✓
UL10C	✓
UL228	✓
ANSI BHMA	-
IFCC	✓

Key: ✓ Yes - No o Option

Finishes

See page 98 for more detail



SE
Silver



SNP
Satin Nickel



PNP
Polished Nickel



WH
White



PVD
Polished Brass



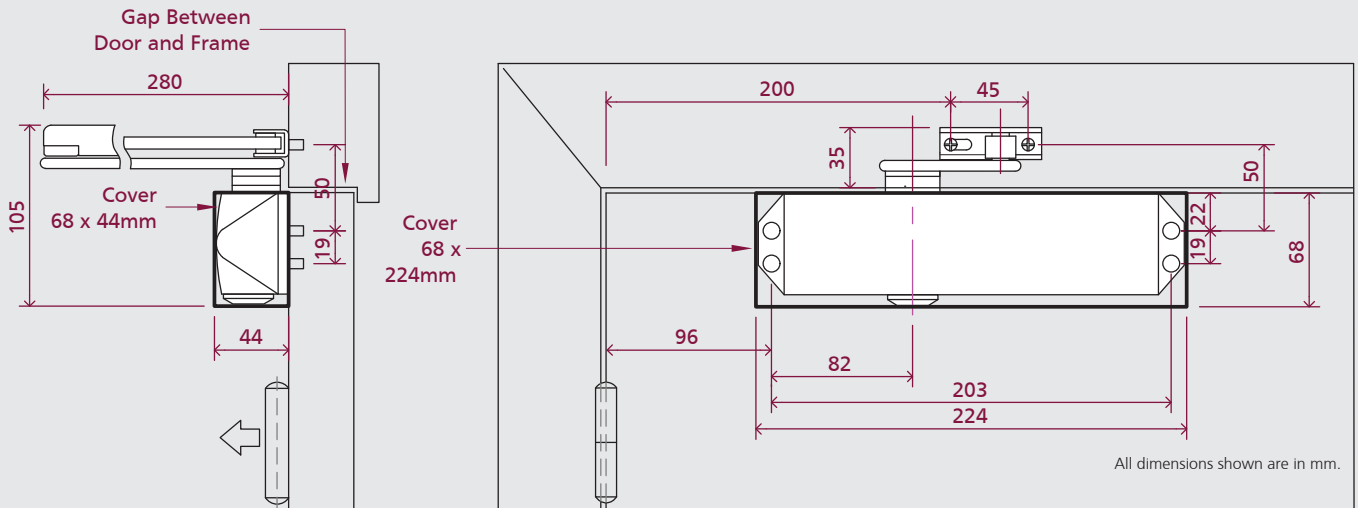
1720



Approved Product
CF 6018



1812



For fitting instructions see website