

ENHANCING LIFE SAFETY AT EVERY FIRE DOOR

SCISSOR ARM DOOR CLOSERS

TS.9206



SCISSOR ARM DOOR CLOSERS

TS.9206

Ideal for heavy usage, the TS.9206 is power adjustable by spring size 2-6, has a unique slimline appearance and comes with back check and delayed action as standard.

- Suitable for use on doors up to 1400mm wide
- 35 Year Guarantee
- Available in 4 different finishes for next day delivery



3rd Party
Certification



Opening Angle
180°



Two-Stage
Speed Regulation



Guarantee



Max Door
Width



Max Door
Weight



Finishes

See page 98 for more detail



SE
Silver



SNP
Satin Nickel



PNP
Polished Nickel



M
Marine 316



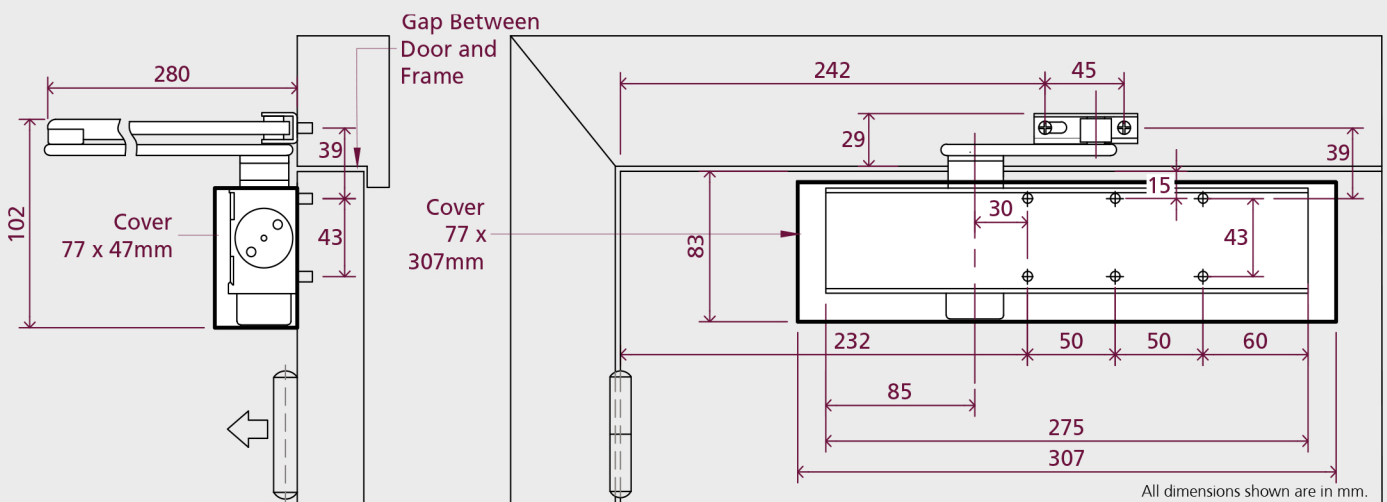
1720

1812

Product Features

TS.9206

Delayed Action	✓
Back Check	✓
Opening Angle	180°
Fig.1 Pull Side Door Width	415-1400mm
Fig.66 Push Side Door Width	490-1250mm
Fig.1 BS8300 Min Door Width	835mm
Fig.66 BS8300 Min Door Width	728mm
Max Door Weight	<120kg
Power Adjustment	By Spring
Hold Open (not for fire doors)	○
Dimensions (including cover)	W307 x H77 x D47mm
Certification Compliance	
Certifire	-
UKCA	✓
CE	✓
BS EN 1154	✓
BS EN 1634	✓
UL10C	-
UL228	-
ANSI BHMA	-
IFCC	✓
Key: ✓ Yes - No ○ Option	



For fitting instructions see website